



vibersTM
bio concrete



Change the script.

vibers™ is a new material made from Elephant grass. Elephant grass grows on local soil, on fallow land and is a very special plant. It takes up 4 times more CO₂ than a forest with trees, grows on poor soil, without the use of pesticides and needs little water. **vibers™** uses modern technology to make new products that are better for the environment: biobased plastic for injection molding and thermoforming, paper and concrete with a low ecological footprint.

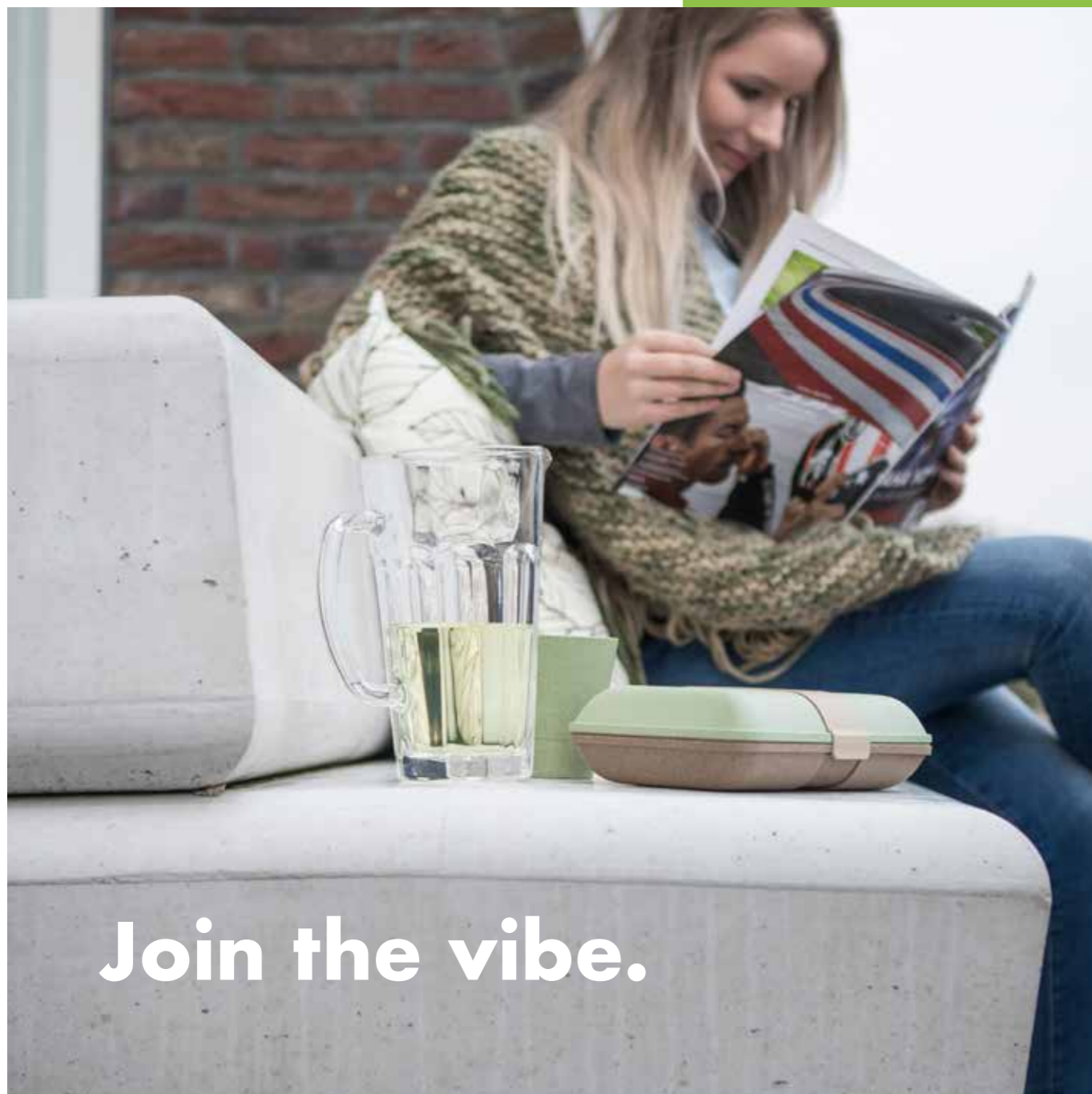


vibers for construction

Concrete is the most widely used building material in the world and the production of cement produces a lot of CO₂ emissions. We would like to change this. **vibers™** has therefore developed a new type of concrete with elephant grass (*Miscanthus giganteus*). By adding *Miscanthus* 22 kg of CO₂ is stored per m³ of concrete and less cement is used.

During the production of **vibers™** concrete, green energy is used. This means that the amount of energy is multiplied by 0 kg CO₂/kWh. So no CO₂ is emitted during production*. With all this, **vibers™** offers a sustainable alternative for the construction industry.

* source: www.co2emissiefactoren.nl



Join the vibe.

One of our projects in **vibers™** concrete is a bench. This bench was designed under architecture and in collaboration with municipal administrators of the public space. The special feature of this bench is the modular system and **vibers™** concrete can be made in different colors.

We have opted for a completely concrete construction that is demolitionproof and can be provided with an anti-graffiti coating. This way our bench has a long life and is maintenance free.

The **vibers™** bench is also suitable as roadblock because of the concrete design. The safety of the residential area is increased and the beautiful cubist design increases the attractiveness of the street scene. So is a safety measure also an asset for the public space.



Benefits of vibbers bio concrete

- Low ecological footprint
- High technical performance
- Self-compacting
- Less weight than regular concrete
- Unique design
- Modular system
- Available in different colors
- Long life and maintenance free
- Can be used as roadblock
- Attractive priced
- Our concrete is suitable for various applications such as planter boxes, retaining walls and other elements for the public space or customized products.

More info?



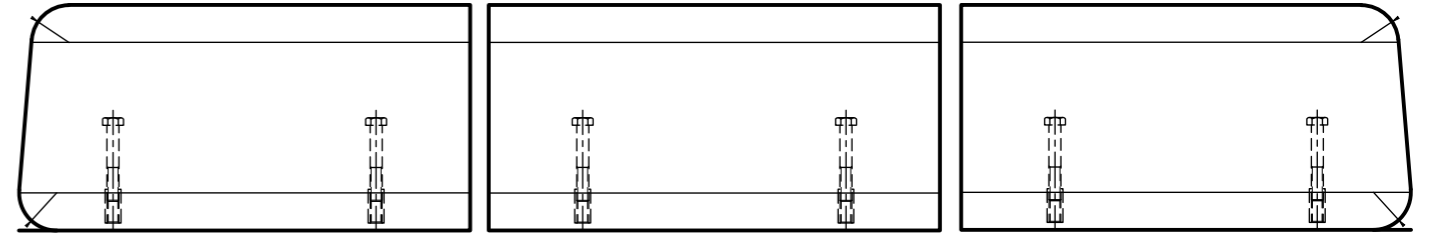
Wondering what **vibers™** concrete can mean in your project?
We would like to tell you more.

www.vibers.nl
hallo@vibers.nl



prijzen

□ pieces □ pieces □ pieces



BENCH backrest left

available colours



vibers concrete white
CC1 30 10

can be ordered in
multiple colors

BENCH backrest centre

available colours



vibers concrete white
CC1 31 10

can be ordered in
multiple colors

BENCH backrest right

available colours



vibers concrete white
CC1 32 10

can be ordered in
multiple colors

backrest left

Dimensions 600 x 250/ 200 x 300 mm
Weight element ca. 105 kg/per piece
€ 300,- / piece

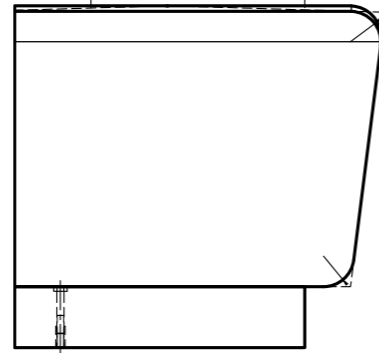
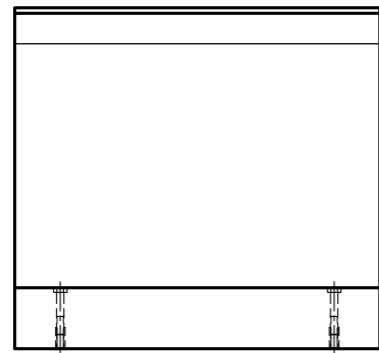
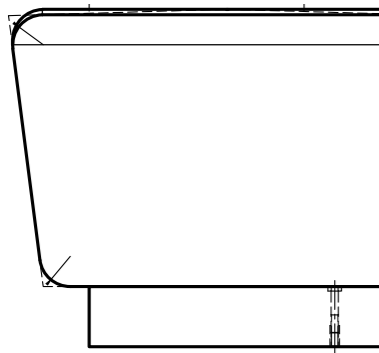
backrest centre

Dimensions 600 x 250/ 200 x 300 mm
Weight element ca. 105 kg/per piece
€ 300,- / piece

backrest right

Dimensions 600 x 250/ 200 x 300 mm
Weight element ca. 105 kg/per piece
€ 300,- / piece

pieces pieces pieces



BENCH seat left

available colours



vibers concrete white
CC1 10 10

can be ordered in
multiple colors

BENCH seat centre

available colours



vibers concrete white
CC1 11 10

can be ordered in
multiple colors

BENCH seat right

available colours



vibers concrete white
CC1 12 10

can be ordered in
multiple colors

seat

Dimensions 600 x 700 x 460 mm
Weight element ca. 450 kg/stuk
€ 600,- / piece

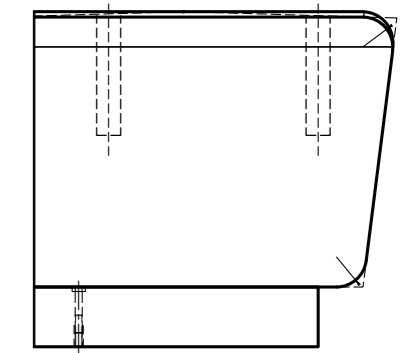
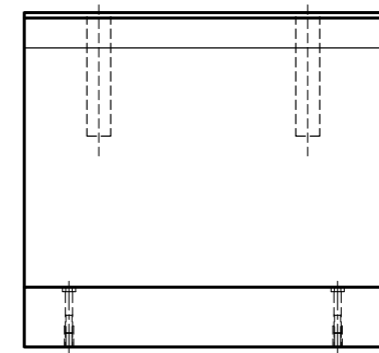
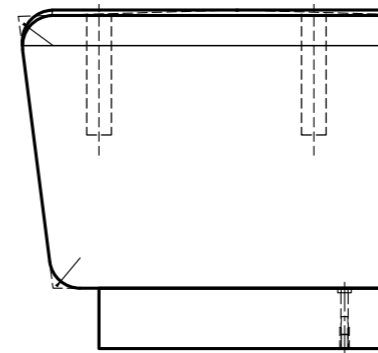
seat

Dimensions 600 x 700 x 460 mm
Weight element ca. 450 kg/stuk
€ 600,- / piece

seat

Dimensions 600 x 700 x 460 mm
Weight element ca. 450 kg/stuk
€ 600,- / piece

pieces pieces pieces



BENCH seat left icw backrest

available colours



vibers concrete white
CC1 20 10

can be ordered in
multiple colors

BENCH seat centre icw backrest

available colours



vibers concrete white
CC1 21 10

can be ordered in
multiple colors

BENCH seat right icw backrest

available colours



vibers concrete white
CC1 22 10

can be ordered in
multiple colors

seat in combination with backrest

Dimensions 600 x 700 x 460 mm
Weight element ca. 450 kg/stuk
€ 600,- / piece

seat in combination with backrest

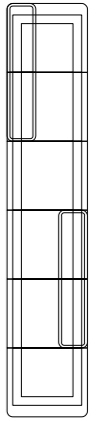
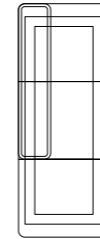
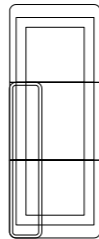
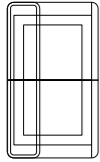
Dimensions 600 x 700 x 460 mm
Weight element ca. 450 kg/stuk
€ 600,- / piece

seat in combination with backrest

Dimensions 600 x 700 x 460 mm
Weight element ca. 450 kg/stuk
€ 600,- / piece

pieces pieces pieces

pieces pieces pieces



BANK 2seats type 1

BANK 3seats type 2

BANK 3seats type 3

BANK 3seats type 4

BANK 4seats type 5

BANK 4seats type 6

available colours

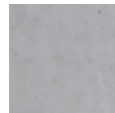
available colours

available colours

available colours

available colours

available colours



vibers concrete white
CC1 41 10

can be ordered in
multiple colors



vibers concrete white
CC1 42 10

can be ordered in
multiple colors



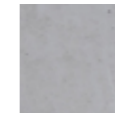
vibers concrete white
CC1 43 10

can be ordered in
multiple colors



vibers concrete white
CC1 44 10

can be ordered in
multiple colors



vibers concrete white
CC1 45 10

can be ordered in
multiple colors



vibers concrete white
CC1 46 10

can be ordered in
multiple colors

seat left and right
backrest left en right

seat left, centre and right
backrest left, centre and ringht

seat left, centre and right
backrest left and centre

seat left, centre and right
backrest centre and right

seat left, two in centre and right
2 backrests centre

seat left, four in centre and right
2 backrests left centre and 2 right

€ 1.785,- / piece

€ 2.695,- / piece

€ 2.395,- / piece

€ 2.395,- / piece

€ 2.995,- / piece

€ 4.785,- / piece



Change the script. Join the vibe.